

OVRHS3U

Sub Distribution and Panelboard – 400A and below



Product features

- UL Listed 1449 4th edition for Type 1 and Type 2 SPD applications.
- Individual fusing for each Metal Oxide Varistors (MOVs).
- LED indicates proper functioning of L-N and N-G MOVs.
- 3-year standard warranty.

Available configurations

Model number	kA per Phase	Voltage	Configuration
Type 1			
OVRHS3U401201P	40kA	120V	1-phase, 2-wire + ground
OVRHS3U401202S	40kA	120/240V	2-phase, 3-wire + ground
OVRHS3U402403D	40kA	240V	3-phase Delta, 4-wire + ground
OVRHS3U401203Y	40kA	120/208V	3-phase Wye, 4-wire + ground
Type 2			
OVRHS3U402401P	40kA	240V	1-phase, 2-wire + ground
OVRHS3U801202SR	80kA	120/240V	2-phase, 3-wire + ground
OVRHS3U404803D	40kA	480V	3-phase Delta, 3-wire + ground
OVRHS3U401203H	40kA	120/240V	3-phase High-Leg, 4-wire + ground
OVRHS3U402773Y	40kA	277/480V	3-phase Wye, 4-wire + ground
OVRHS3U402303Y	40kA	230/400V	3-phase Wye, 4-wire + ground

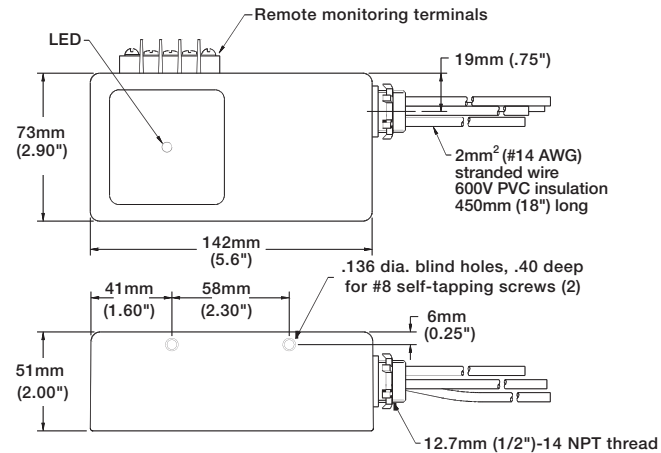
Product specifications

Electrical	
Nominal discharge current rating (I-n)	20kA
Operating frequency	47–63Hz
Connection methods	Parallel to load (shunt) 2mm ² (#14 AWG) wires
Modes of protection	Model dependent
Fault rating (SCCR)	100kAIC
Response time	Less than 1 nanosecond (one per phase)
Standard monitoring	LED status indicator lights
Mechanical	
Weight	.9 kg (2 lbs.)
Enclosure type	NEMA 1, non-metallic
Installation location	Indoor
Mounting method	12.7mm (1/2")–14 NPT thread (Aluminum bracket optional)
Operating environment	-40° to +80°C (-40° to +176°F)
Altitude	Up to 5000 m (16,400 ft.)
Product design	Individually fused MOVs
Regulatory	
UL 1449 4th edition	Type 1 and Type 2
UL 1283	Only for model number OVRHS3U801202SR
IEEE C62.41.1, .2, C62.45	Yes
Listed by	UL
Warranty	3-years

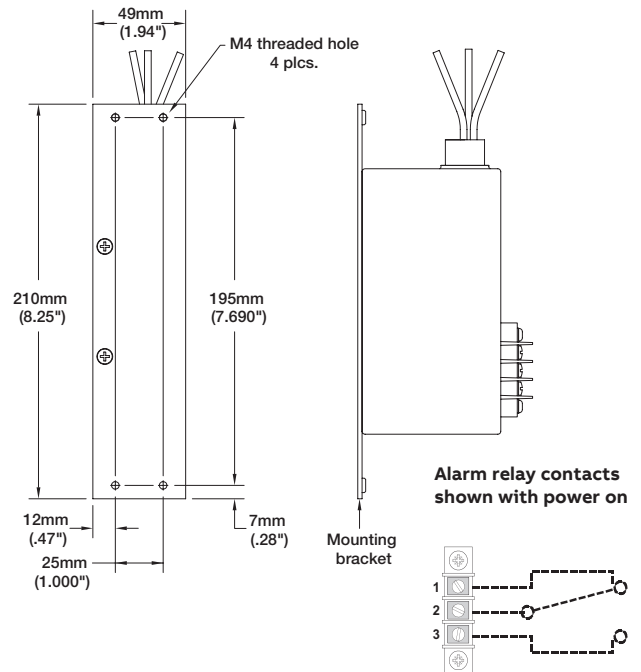
Available options*	Suffix number
(Not available on OVRHS3U801202SR unit)	
1 set of dry relay contacts (all models)	5
1 set of dry relay contacts + mounting bracket (only on OVRHS3U402401P and OVRHS3U402303Y models)	P

*Add applicable suffix to the end of Model number.
Example: OVRHS3U401201P5

DRY RELAY CONTACTS, 5 OPTION

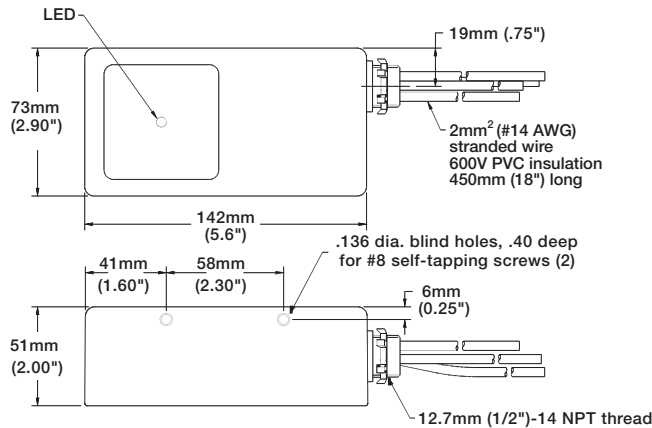


MOUNTING BRACKET AND DRY RELAY CONTACTS, P OPTION



Dimensional specifications

MODELS WITHOUT DRY RELAY CONTACTS



Performance data

Type 1 model number	Protection modes	MCOV	UL 1449 4th edition 6kV 3000A VPR
OVRHS3U401201P	L-N	150	800
	L-G	260	1000
	N-G	150	800
OVRHS3U401202S	L-N	150	800
	L-G	260	1000
	N-G	150	800
	L-L	260	1000
OVRHS3U402403D	L-G	260	1000
	L-L	260	1000
OVRHS3U401203Y	L-N	150	800
	L-G	260	1000
	N-G	150	800
	L-L	260	1000
Type 2 model number	Protection modes	MCOV	UL 1449 4th edition 6kV 3000A VPR
OVRHS3U402401P	L-N	320	1000
	L-G	640	2000
	N-G	320	1000
OVRHS3U801202SR	L-N	150	600
	L-G	150	800
	N-G	150	800
OVRHS3U404803D	L-L	276	1000
	L-G	600	2000
	L-L	600	2000
OVRHS3U401202H	L-N	150	800
	H-N	320	1000
	L-G	470	1500
	H-G	640	2000
	N-G	320	1000
	L-L	300	1000
	H-L	470	1500
OVRHS3U402773Y	L-N	320	1000
	L-G	600	2000
	N-G	320	1000
	L-L	600	2000
OVRHS3U402303Y	L-N	320	1000
	L-G	600	2000
	N-G	320	1000
	L-L	600	2000

ABB Power Protection LLC

EPSB

Low Voltage Products

5900 Eastport Blvd.

Richmond, VA 23231, USA

new.abb.com/low-voltage/products

We reserve the right to make technical changes or modify the contents of this document without prior notice. With regard to purchase orders, the agreed particulars shall prevail. ABB Power Protection does not accept any responsibility whatsoever for potential errors or possible lack of information in this document.

We reserve all rights in this document and in the subject matter and illustrations contained therein. Any reproduction, disclosure to third parties or utilization of its contents – in whole or in parts – is forbidden without prior written consent of ABB Power Protection. Copyright © 2019 ABB